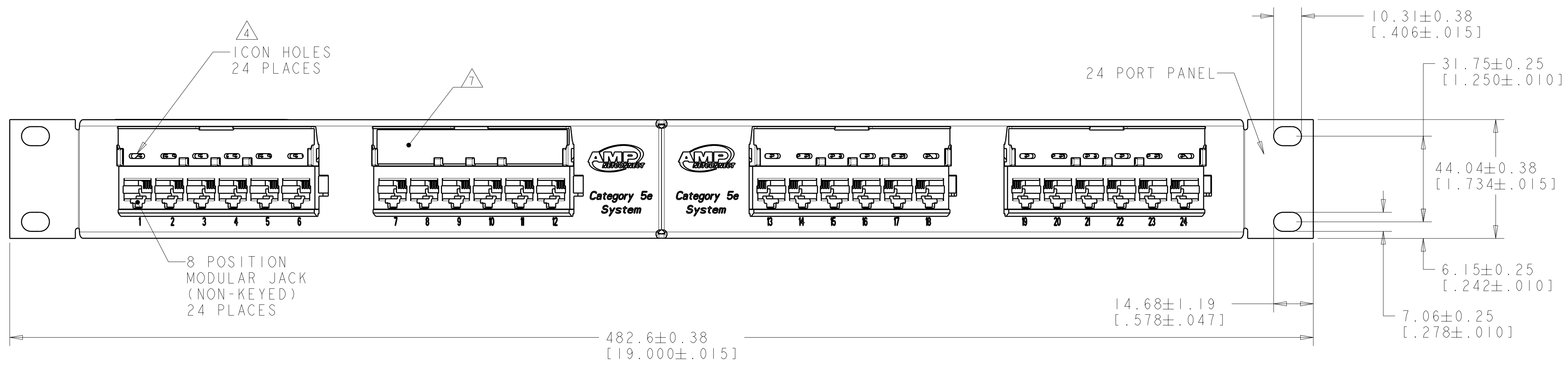
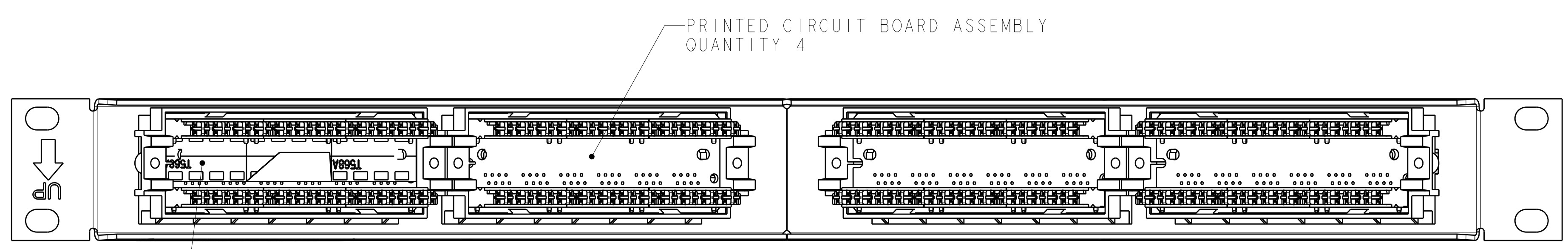
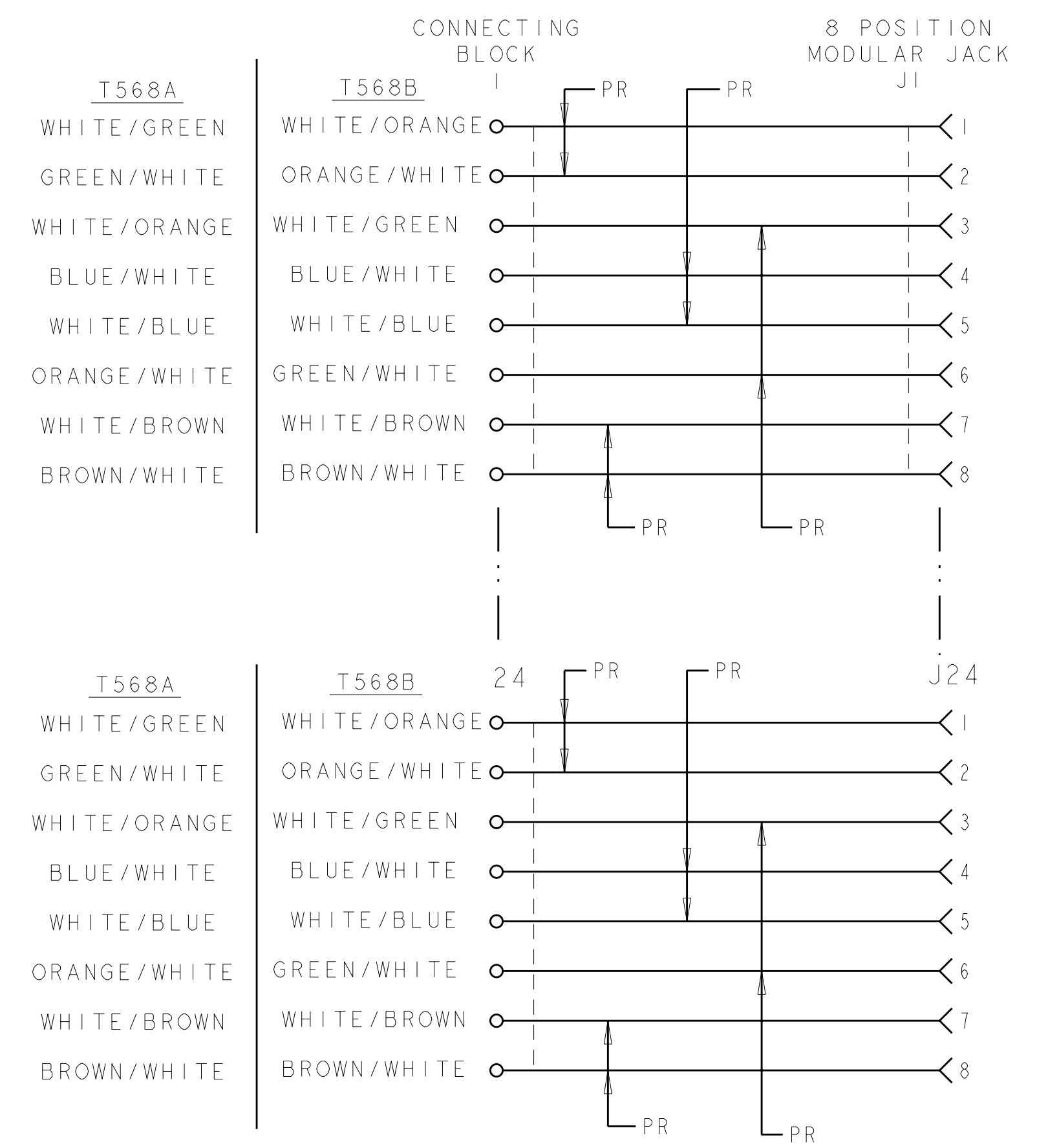
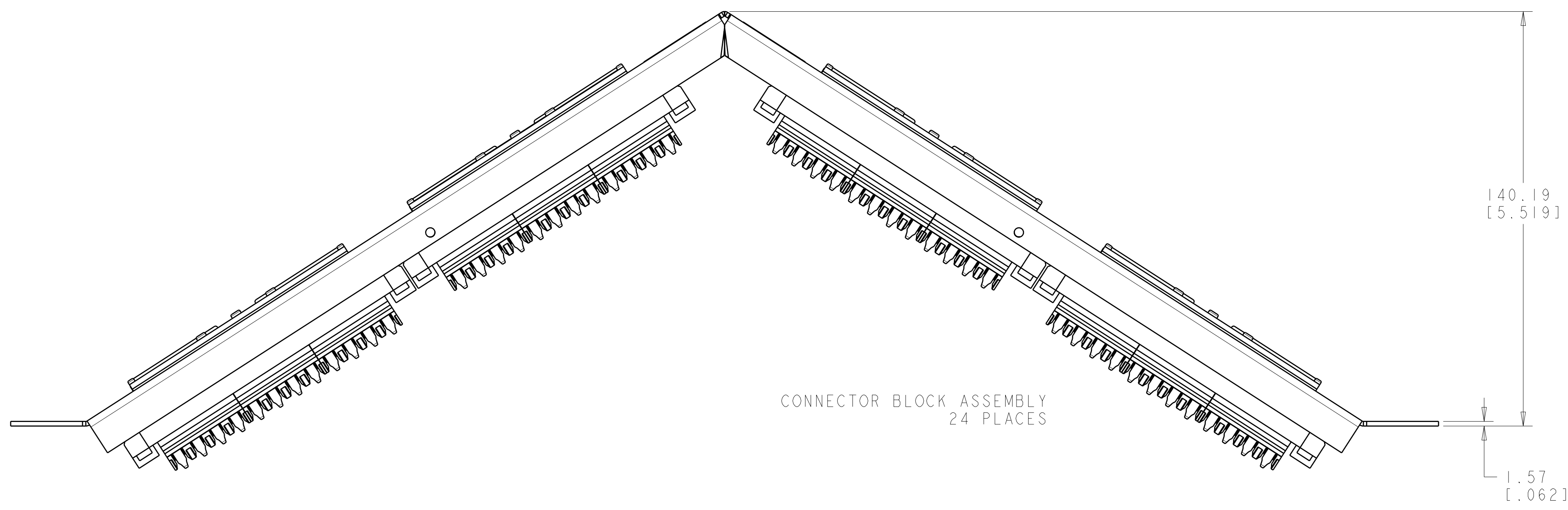


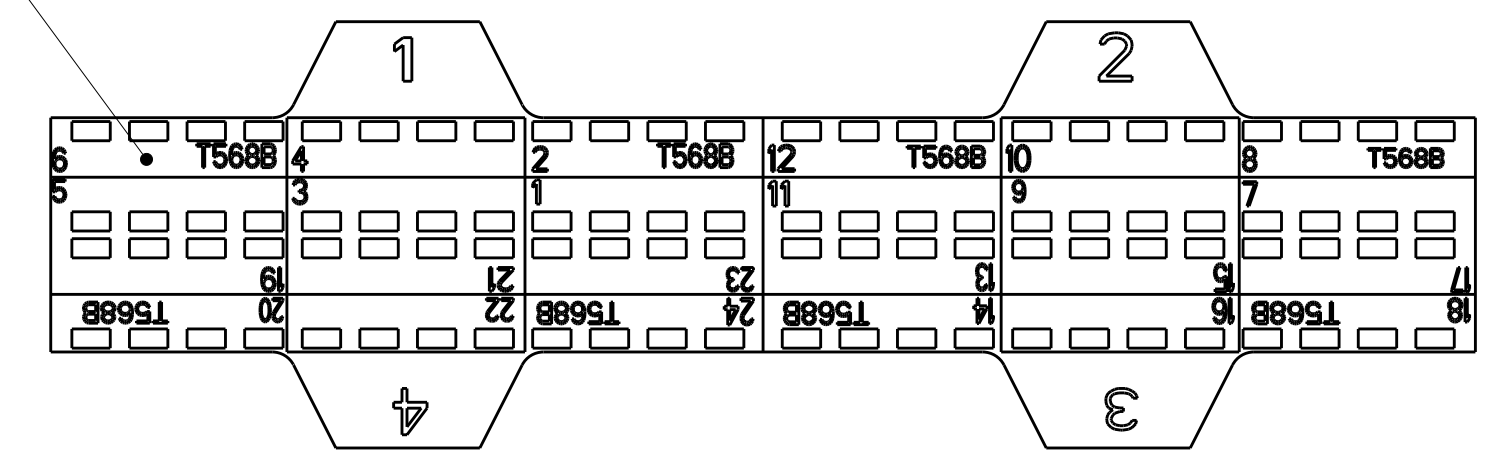
LOC	DIST	REVISIONS				
		REV	DESCRIPTION	DATE	DWN	APVD
HM	00	A	NSD05-054	05APR2005	JM	SH
		B	REV: ECO-08-012437	03JUNE2008	JB	SH



- △ MATERIAL: 24 PORT PANEL - BLACK POWDER COAT, CARBON STEEL WITH WHITE MARKINGS. PC BOARD - COPPER CLAD LAMINATED SUBSTRATE. MOD JACKS AND INTERFACE HOUSINGS - BLACK POLYESTER.
- △ DIMENSIONS ARE NOMINAL UNLESS OTHERWISE SPECIFIED.
- 3. THREE WIRE TIES USED FOR CABLE ORGANIZATION/ROUTING ARE SHIPPED LOOSE AND NOT SHOWN DRAWING.
- △ ICONS MAY BE PURCHASED SEPERATELY.
- △ ONE SHEET OF FOUR PER SHEET 110 CONNECTOR UNIVERSAL WIRING LABELS ARE SHIPPED LOOSE. ONE SIDE IS FOR T568A WIRING AND THE OPPOSITE SIDE FOR T568B WIRING. ONE LABEL SHOWN INSTALLED AT LOCATION INDICATED.
- 6. MOUNTING HARDWARE INCLUDED EACH ASSEMBLY:
 FOUR, 10-32 X.50 TRILOBULAR SCREWS W/ CAPTIVE STARWASHER.
 FOUR, 12-24 X.50 TRILOBULAR SCREWS W/ CAPTIVE STARWASHER.
- △ ONE SHEET OF BEZEL LABELS AND ONE SHEET OF CLEAR LABEL COVERS ARE SHIPPED LOOSE. ONE LABEL SHOWN INSTALLED AT LOCATION INDICATED.



ELECTRICAL SCHEMATIC
 T568A OR T568B WIRING



1499604-1
 PART NUMBER

DIMENSIONS: MM [INCHES] TOLERANCES UNLESS OTHERWISE SPECIFIED: 0 PLC ± 1 PLC ± 2 PLC ± 3 PLC ± 4 PLC ± ANGLES ± FINISH ±		DWN J MCNEAL 05APR2005 CHK L SMITH 05APR2005 APVD S HERNDON 05APR2005 PRODUCT SPEC APPLICATION SPEC WEIGHT CUSTOMER DRAWING	tyco Electronics Tyco Electronics Harrisburg, PA 17105-3608 NAME ANGLD PANEL ASSEMBLY, 1U, 24 PORT, CATEGORY 5E SIZE CAGE CODE DRAWING NO A 00779 C-1499604 SCALE 1:2 SHEET 1 OF 1 REV B
--	--	---	---